



Battery Monitor User Manual

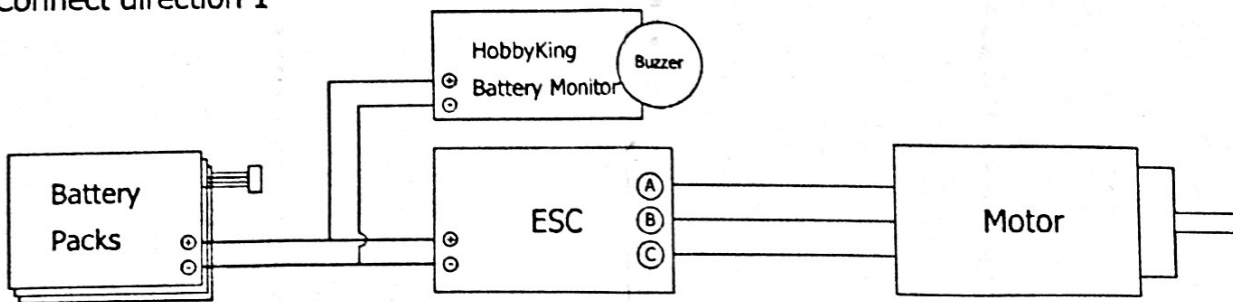
HobbyKing Battery Monitor can monitor your battery's voltage status in use. Usually the voltage of battery will drop when it is using, so the HobbyKing Battery Monitor will monitor the voltage and report you the result with LED & buzzer.

User can connect the battery monitor to the ESC input cable. or connect to the battery balance port directly.

Model	Blue light shines	Blue light flashes	Red light shines	Red light flashes & Beep
2S	7.4v up	7.4v ~ 6.8v	6.8v ~ 6.6v	below 6.6v
3S	11.1v up	11.1v ~ 10.2v	10.2v ~ 9.9v	below 9.9v
4S	14.8v up	14.8v ~ 13.6v	13.6v ~ 13.2v	below 13.2v
6S	22.2v up	22.2v ~ 20.4v	20.4v ~ 19.8v	below 19.8v

NOTE: If the battery monitor detects that load voltage of battery is under $3.3 \times N$ (N=2,3,4,5,6) and stand 5 seconds, the Red LED will hold the flash status, and buzzer will hold the beep status until you disconnect the battery monitor's power.

Connect direction 1



Connect direction 2

